

Fire Assay Crucibles & Accessories

Rojan can supply a range of products to fire assay laboratories.



The product range includes Muffles & Vents, Furnace Tiles, Fire Assay Crucibles & Cupels.

The Rojan silicon carbide Muffles have been used throughout the industry for many years as we have been the main supplier to the OEM market.

Our Fire Assay Crucibles are made of a proprietary material exhibiting high thermal shock and corrosion properties. We can currently supply the following:

• 30G/ LVCO0251	• 50G/ LVCO0430
• 40G/ LVCO0345	• 55G/ LVCO0470
• K45/ LVCO0370	• 65G/ LVCO0500

We can offer the following sizes of muffles and vents:

• No. 1	• No. 3
• No. 4	• No. 5
• No. 7	• No. 8

We have the capacity to make all sizes of crucibles currently in the market, as well as to modify existing designs to suit customers' needs.

We can provide cordierite-mullite furnace tiles of various sizes.

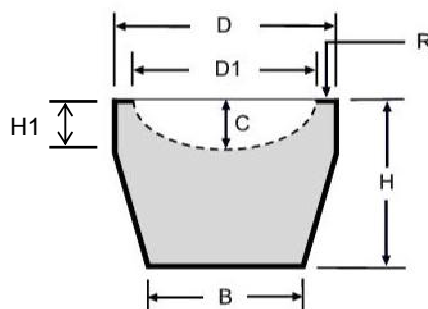
The cupels are made from magnesite. We can offer the following sizes:



Fire Assay Crucibles & Accessories

Main ingredient: MgO

[A] Dimensions in “mm” approx.



CUPEL SIZE	Height “H”	Top Diam. “D”	Base “B”	Cup Diam. “D1”	Depth of Cup “C”	Cup Ridge Width “R”	Cup Ridge Height “H1”	Approx. Weight gm	Pb Absorption @ 75% gw
6A	25.4	40.0	30.0	32.7	12.3	3.65	6.0	47.5	35.5g
7A	28.5	39.7	30.0	31.2	11.8	4.25	9.0	60	45.0g
8A	35.0	45.3	36.9	38.0	12.5	3.65	13.0	100.5	75g

[B] Packing

The Cupels are packed in solid cardboard cartons:-

CUPEL SIZE	Number Cupels Per Carton	Gross Weight kg	Standard Pack on pallet
6A	300	15.0	48 cartons
7A	300	18.5	48 cartons
8A	200	19.7	40 cartons